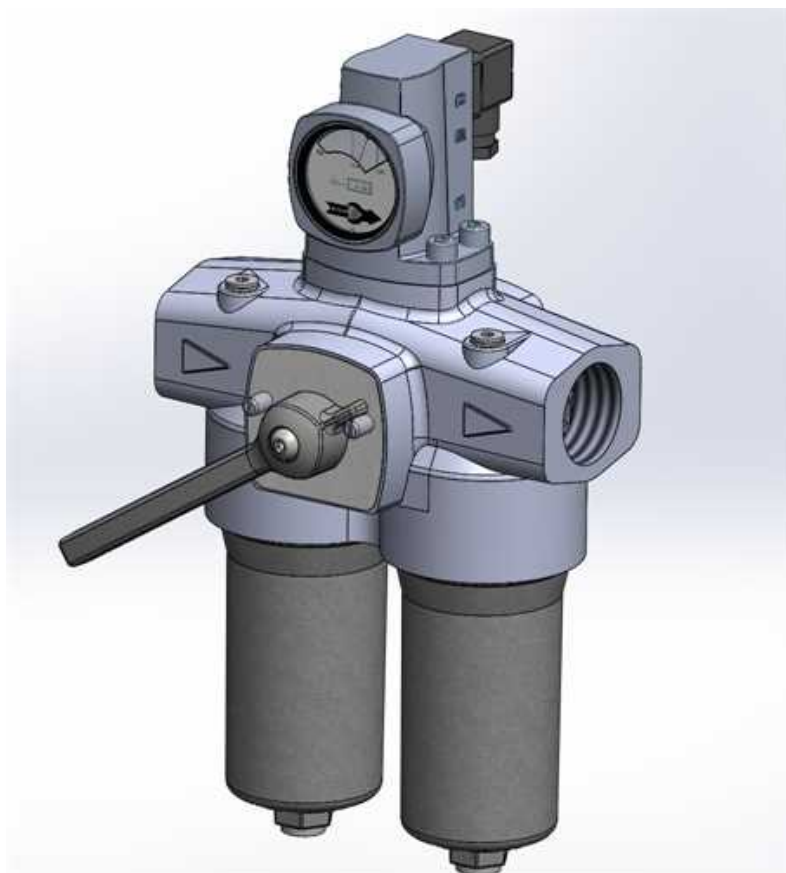


Double Filter Type W-DF-4.222



Technical Data

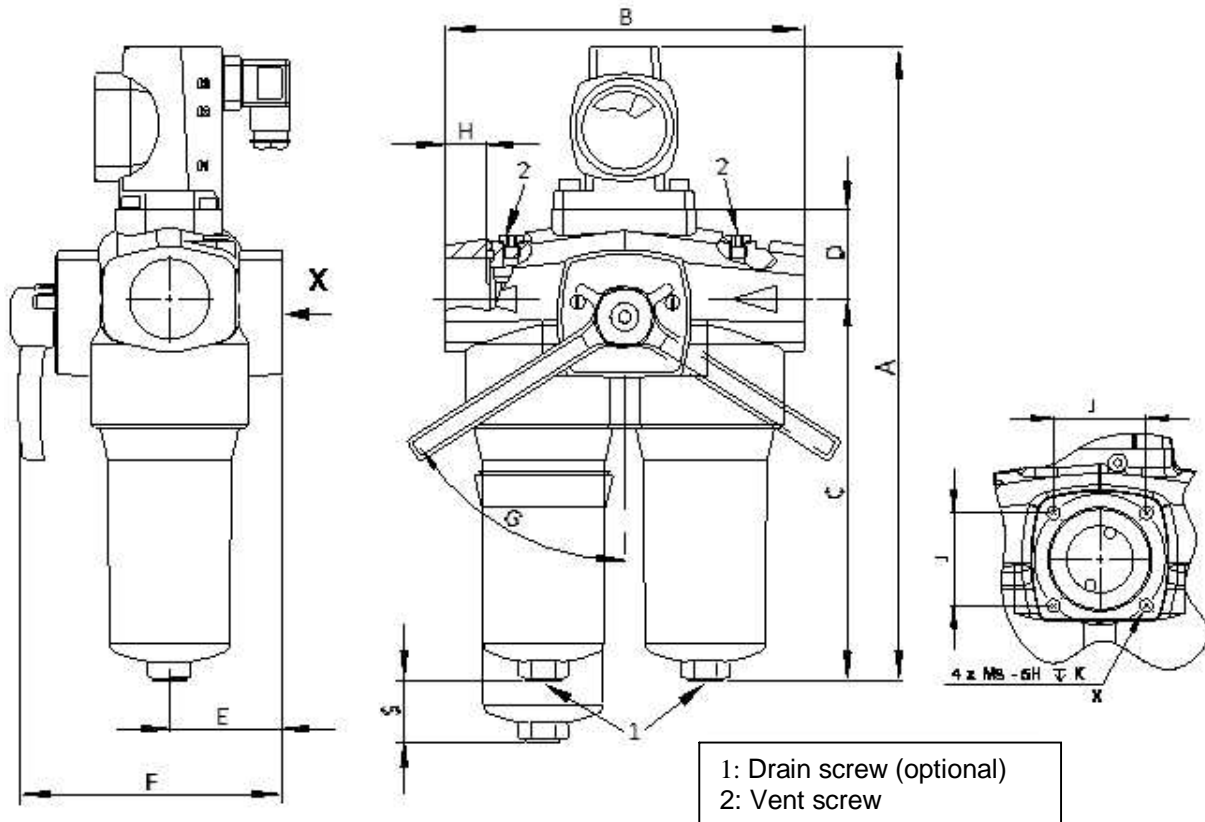


T: +49 (0)62 32 4 49 86
F: +49 (0)62 32 39 86
info@w-filter.com
www.w-filter.com



Double Filter Typ W-DF-4.222 (DN25 - DN50) - Technical Data

Dimension



Connection Sizes

	DN25	DN40	DN50/65
Connection	Thread G1 ½ (Standard) for flange SAEJ518DN25-3 (optional)	for flange SAEJ518DN51-3	for flange SAEJ518DN64-3
Hole	26,2 x 54,4	42,9 x 77,8	50,8 x 88,9
Thread	M10x20	M12x24	M12x24

Filter Dimension

DN	model	Flow rate* Q [l/min]		A [mm]	B [mm]	C [mm]	D [mm]	E [mm]	F [mm]	G [°]	H Threat depth [mm]	J [mm]	K [mm]	S≈ [mm]	Mass [kg]
		B1	B2												
25	L2	63	-	351	200	211	50	62,5	153	57,5°	25	50	10	60	9
25	L3	93	-	418	200	278	50	62,5	153	57,5°	25	50	10	60	10
40	L2	150	230	500	280	333	77	85	227	57,5°	N/A	60	12	70	19
50/65	L2	290	-	517	300	339	87,5	93,5	248	60°	N/A	65	12	70	21,5
50/65	L3	-	360	635	300	463	87,5	93,5	248	60°	N/A	65	12	70	24,9

*These specifications refer to the oil medium ISO VG 460 with a grade filtration of 25µm. Pressure loss Δp ca. 0.6bar at clean conditions.





Description

The filter is used to separate foreign particles from the particular medium (e.g. lubricating oil) and is designed for continuous filtration.

As a rule one filter chamber is operating while the other one stands full of liquid and has a clean filter element in reserve. If the operating filter element is very soiled, you can manually switch to the reserve filter element. An overlapping changeover between the two filter chambers ensures a continuous media flow.

After the changeover the soiled filter element must be removed, cleaned or replaced and re-inserted so that a reserve chamber is available for the next changeover process.

Design Data

The filter unit is designed, built and tested in compliance with the European Pressure Equipment Directive 97/23/EC and the German Equipment Safety Law.

DN	Installation length code	Smallest flow cross-section [mm]	Total volume [dm ³]
25	L2	ø 23.20	1.40
25	L3	ø 23.20	2.00
40	L2	ø 39.80	4.70
50/65	L2	ø 49.10	7.10

Alternative installation lengths with different sieve lengths are available on request.

Operating pressure: max. 16 bar (40 bar on request)

Operating temperature: max. 120°C

Environment and medium must not have a negative influence on the materials used!

Material (Standard)

Gehäuse: EN-GJL-250

Filterhaube: GK-AlSi12 (Cu)

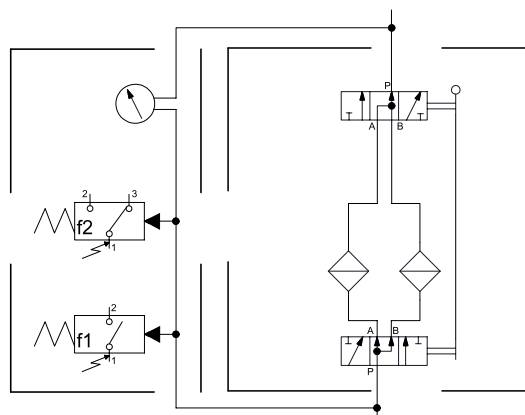
Filterelement: siehe separat erhältlich Datenblatt (Filterelemente_TypDF1-A--TDB)

Differenzdruckanzeiger: siehe separat erhältlich Datenblatt (W-DP5.22-TDB)

Dichtungen: NBR (alternativ FPM)

Sonderwerkstoffe auf Anfrage

Schematic diagram W-DF-4.222



Version Type W-DF (DN50 – DN150)

Based on Filter Type W – please inquire!





Type Code

The type code can be found on the type plate.

W-DF 4.222	-	A50	.	060	.	L2	-	V	.	LR	-	5.22- 2.0
deltaP® differential pressure indicator												
5.22-2.0 In their standard version the filters feature a differential pressure indicator type W-DP-5.22 (the designation can be found in the separate data sheet).												
Direction of flow												
RL Flow from right to left												
LR Flow from left to right (standard)												
Sealing material												
P NBR (standard)												
V FKM												
Other materials on request												
Installation length code												
L2 Standard installation length all sizes (cast aluminium filter hoods)												
L3 Installation length currently available for DN 25 (cast aluminium filter hoods)												
Other installation lengths on request (welded filter hoods)												
Filter mesh/medium												
005 optimesh® wire mesh 5µm nominal, 10µm absolute												
010 optimesh® wire mesh 10µm nominal, 25µm absolute												
015 optimesh® wire mesh 15µm nominal, 34µm absolute												
020 optimesh® wire mesh 20µm nominal, 40µm absolute												
025 optimesh® wire mesh 25µm nominal, 60µm absolute												
040 optimesh® wire mesh 40µm nominal, 80µm absolute												
060 optimesh® wire mesh 60µm nominal, 100µm absolute												
080 precimesh® wire mesh 80µm nominal, 150µm absolute												
100 precimesh® wire mesh 100µm nominal, 200µm absolute												
120 precimesh® wire mesh 120µm nominal, 250µm absolute												
150 precimesh® wire mesh 150µm nominal, 300µm absolute												
xxx Paper, glass fibre paper												
Connection nominal diameter / installation size DN [mm] Typ A												
25 / 40 / 50												
Series												
W-DF double changeover filter type W-DF-4.222												
4.222												

